

6' FENCE OR PEDESTRIAN GUARD RAIL  
SPECIFIED BY ENGINEERING

EMBED POST IN 6"-8" DIA PVC SLEEVE  
OR SONO TUBE 32" MIN 48" MAX OR  
SPECIFIED BY ENGINEER

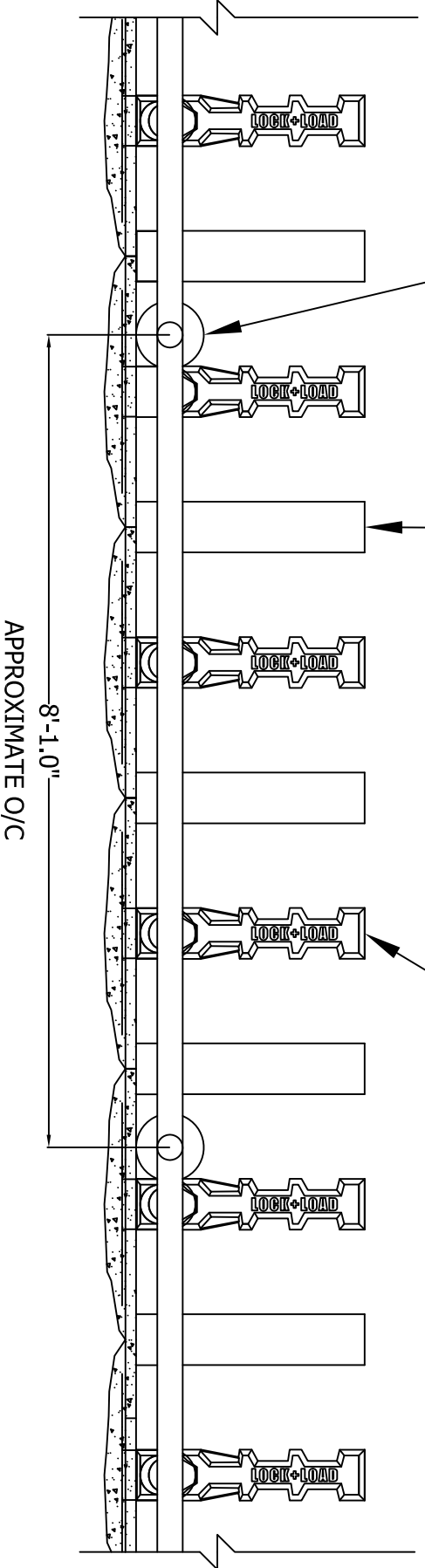
6"-4" PVC SLEEVE FOR  
SMALLER FENCING OR HANDRAIL  
SPECIFIED BY ENGINEERING

32" MIN

8' ON CENTER SPACING FOR FENCE OR PEDESTRIAN  
GUARDRAIL BY OTHERS EMBED POST IN A 8" DIA  
PREINSTALLED SONO TUBE OR PVC

2ND COURSE OF COUNTERFORT  
FROM TOP OF WALL

TOP OF WALL COUNTERFORTS



8'-1.0"  
APPROXIMATE O/C

REV #	DESCRIPTION	DATE

**LOCK+LOAD**™  
RETAINING WALL SYSTEMS  
1881 CHESTNUT STREET, SUITE 400, VANCOUVER, B.C. V6J 4M6  
Tel: (604) 732-9399 Fax: (604) 731-1140  
Web site: www.lock-load.com

DRAWING TITLE	FENCE DETAIL
PROJECT NAME	TYPICAL DETAILS
CITY	
DESIGNED BY	KJA
DATE	01/06/12
APPROVED BY	RC/DA
SCALE	N.T.S.
OUR PROJECT NUMBER	
CUSTOMER DRAWING	OUR DRAWING NUMBER
	FENCE DETAIL